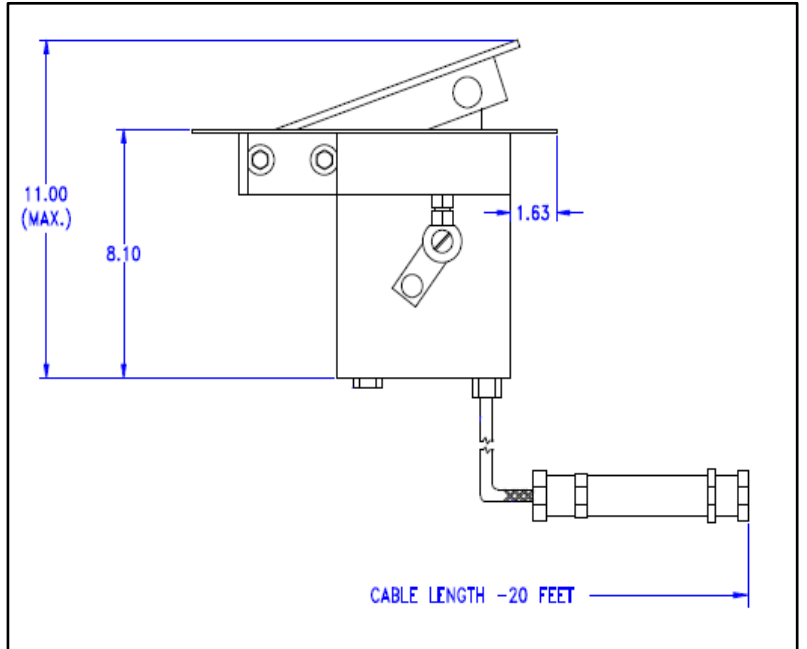




# Rig Manufacturing LLC – SCR Foot Throttle

RMC offers the SCR Foot Throttles as a solution to the demand for parts and equipment to be made in the USA and on the shelf. This Foot Throttle Model 201 is used for use with a SCR Drillers Controls. Works with SCR Model 1400, 1600, 2400 Ross Hill, IDM, Omron, GE, IPS. This unit replacement is same electrically in function but existing mounting holes and opening on the rig floor must be enlarged to accommodate this unit for operational use.



RMC P/N	WEIGHT/DIMS	DESCRIPTION
2200-0201-00	38 LBS / 13"L x 11"W x 8"D	FOOT THROTTLE ASSY (REPLACES R.H. MODEL 201)

**MADE IN USA**