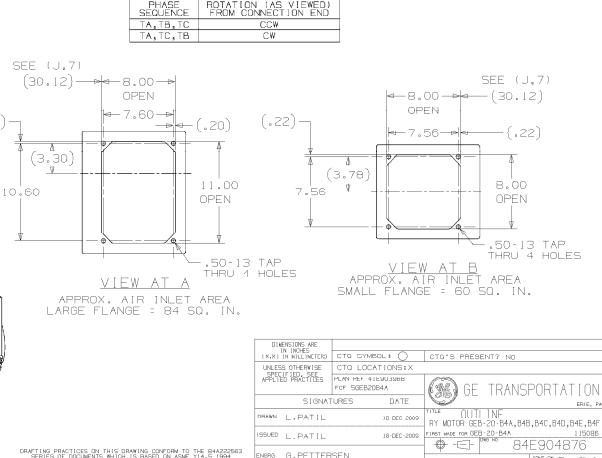
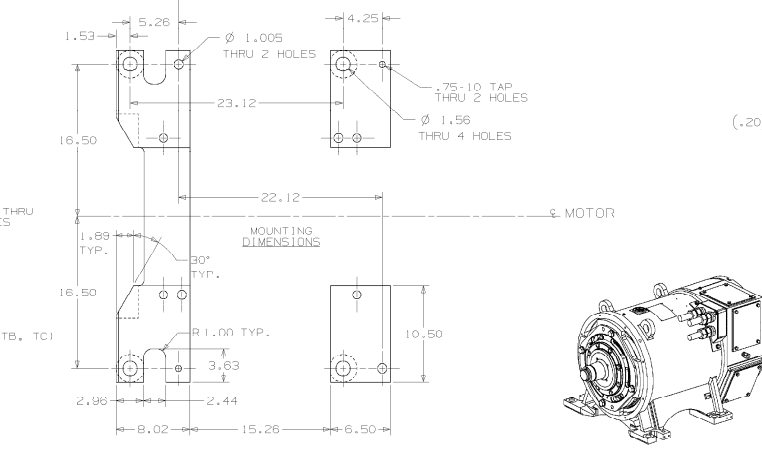


NOTE FOR HUB INSTALLATION:
 FOLLOW BLUEING PROCEDURE P3C-EPB TO ENSURE PROPER FIT BETWEEN SHAFT AND HUB. HUB ADVANCE TO RF +.12 TO +.13 INCH.
 HUB TEMP RISE 215C(419F) ABOVE SHAFT TEMP MEASURED IN HUB ID.

OPTION		
MODEL	HUBS	CABLE SET
5GEB20B4A	2	1
5GEB20B4B	1	1
5GEB20B4C	1	1
5GEB20B4D	2	1
5GEB20B4E	1	1
5GEB20B4F	1	1

ESTIMATED WEIGHT 5GEB20B4A : 8151.20 LBS.
 ESTIMATED WEIGHT 5GEB20B4B : 8100.30 LBS.
 ESTIMATED WEIGHT 5GEB20B4C : 8049.40 LBS.
 ESTIMATED WEIGHT 5GEB20B4D : 5977.20 LBS.
 ESTIMATED WEIGHT 5GEB20B4E : 8226.30 LBS.
 ESTIMATED WEIGHT 5GEB20B4F : 5875.40 LBS.

2800 SCFM STANDARD AIR MIN. FOR COOLING



ENGINEER WE
 (L & R IN RECTANGLE)
 UNLESS OTHERWISE NOTED
 APPROVED BY: [Signature]

DATE: 18 DEC 2009

REV: 1.0

GE TRANSPORTATION

84E904B76