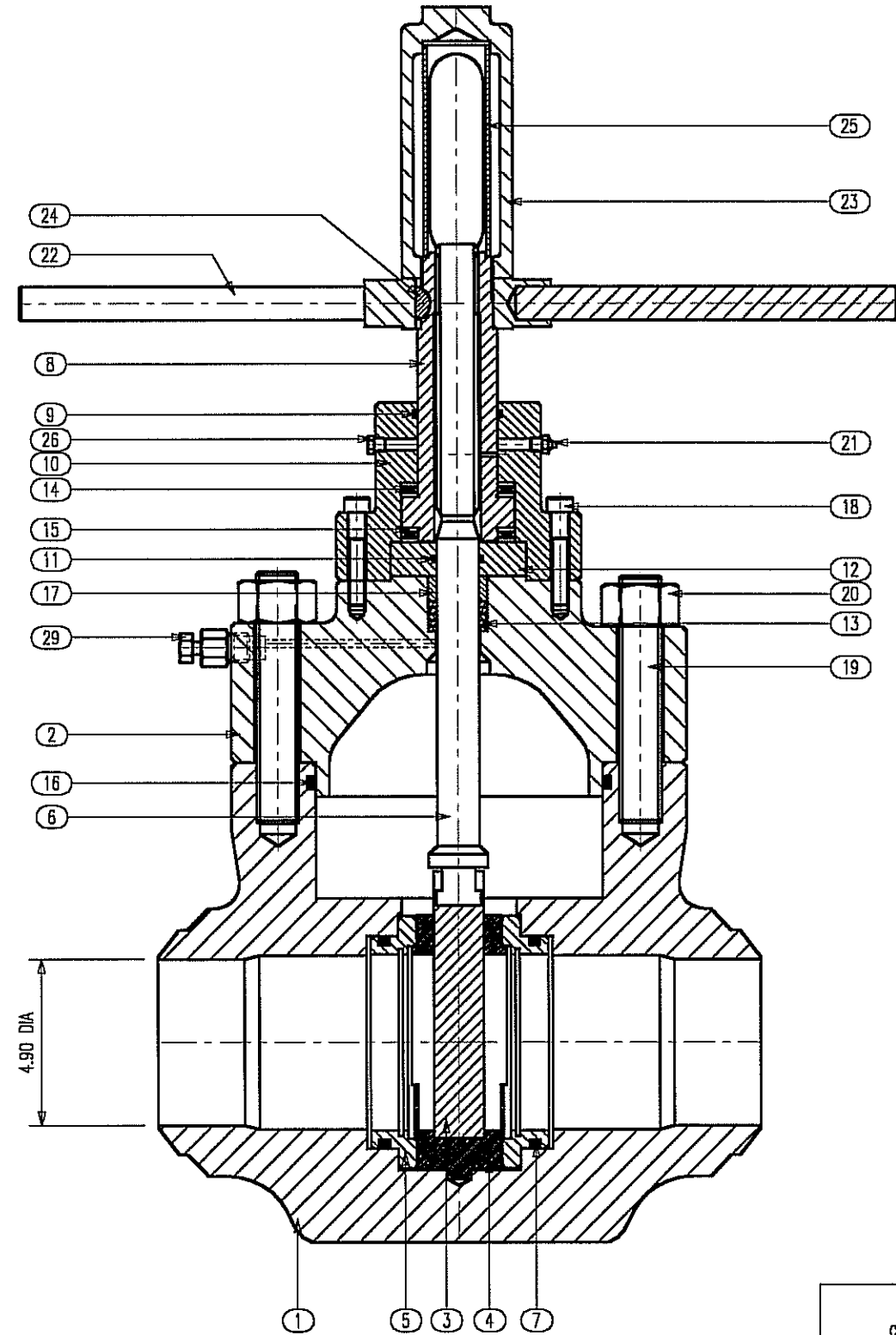
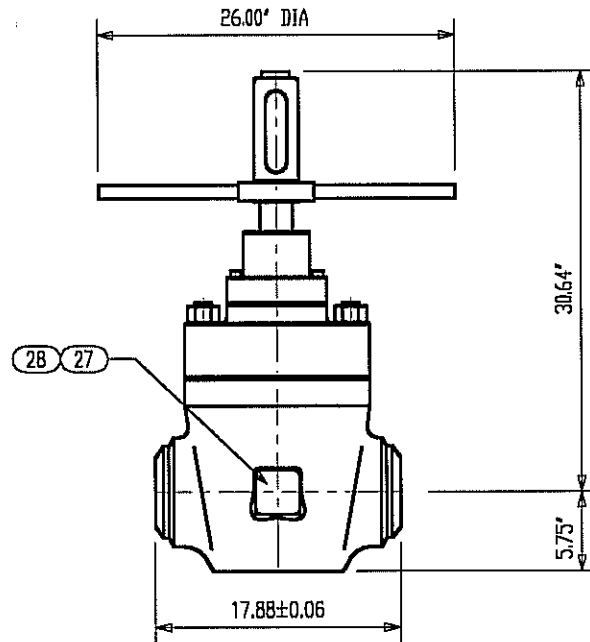


A8681 B

TEMPERATURE RANGE : P TO U
 SUPER TRIM : NACE MR-01-75 COMPATIBLE, SEATS HNR/ SS
 HYDROSTATIC SEAT TEST PRESSURE : 7,500 PSI
 HYDROSTATIC BODY TEST PRESSURE : 11,250 PSI
 RATED L.PRESSURE : 7,500 PSI
 APPROX WEIGHT : 595 LBS (270 KG)

VALVES WILL NORMALLY BE FURNISHED AS PSL 0. FOR PSL 1, PSL 2 & PSL 3 SUFFIX THE ASSEMBLY PART NUMBER WITH -1, -2 OR -3 RESPECTIVELY.
 (EFFECTED PARTS, 1 TO 6)



ITEM	QTY	DESCRIPTION	PART NO.	DRG. NO.	MAT PT NO	SPEC
29	1	BLEED FITTING	17475	N.D.	-	-
28	4	DRIVE RIVET	14273	N.A.	-	-
27	1	NAME PLATE	24988	A3131	-	-
26	1	PLUG (1/8" N.P.T.)	37531	N.A.	-	-
25	1	TUBE	34116	A8665	T37702	-
24	1	KEY	24852	A3064	-	BS 46
23	1	STEM CAP	34117	C6978	C37689	4101
22	1	HUB ASSEMBLY	A34113	C6974	-	-
21	1	GREASE FITTING	20744	N.A.	-	-
20	12	BODY NUT	24301	N.A.	-	-
19	12	BODY STUD	34111	N.A.	-	-
18	8	CAP HEAD BOLT	34112	N.A.	-	-
17	1	STEM BUSH	34073	C6967	B25177	4054
16	1	BONNET SEAL	206806	A292/31	-	4029
15	4	BEARING RACE	24124	N.A.	-	-
14	2	THRUST BEARING	24123	N.A.	-	-
13	1	STEM SEAL	34072	N.A.	-	-
12	1	RETAINER	34071	C6966	B25526	4042
11	1	"O" RING	34070	A292/250	-	4028
10	1	SCREW HOUSING	34118	C6970	B37697	4001
9	1	STEM SCREW SEAL	10763	A292/50	-	4028
8	1	STEM SCREW	34069	C6969	B37690	4001
7	2	SEAT SEAL	28258	A292217	-	4029
6	1	STEM	34067	C6130	B37694	4078
5	2	SEAT SUPPORT RING	34066	C6129	B37700	4159
4	1	BOOT	37619	C6957	-	-
3	1	GATE	34064	C6128	B37707	4159
2	1	BONNET	34063	C6952	B37696	4001
1	1	BODY	37614	C6951	F37381	4088

IMPORTANT
 CAD GENERATED DRAWING
 DO NOT CHANGE BY HAND



ANSON LTD.

QUEENSWAY NORTH
 TEAM VALLEY TRADING ESTATE
 GATESHEAD TYNE AND WEAR NE11 0NY
 Tel: Tyneside (0191) 482 0022
 TELEX 537936 FAX 0191 487 8835

THIS DOCUMENT AND ALL COPYRIGHT AND UNREGISTERED DESIGN RIGHTS THEREIN IS THE PROPERTY OF ANSON LTD. AND IS LOANED ON THE CONDITION THAT IT IS NOT REPRODUCED, COPIED OR OTHERWISE MADE USE OF IN ANY FORM WHATSOEVER EXCEPT BY WRITTEN AGREEMENT OF ANSON LTD. AND THE ACCEPTANCE OF THIS DOCUMENT WILL BE CONSTRUED AS AN AGREEMENT TO THE FOREGOING CONDITIONS.

DRAWN BY D.K.	DATE 13.3.01	SCALE N.T.S.
CHKD BY B.B.	DATE 13.3.01	APP

6" x 5" 7,500 PSI MUD VALVE
 6" XXS B.W. ENDS

PART No. A37701	DWG No. A8681	Issue B
---------------------------	-------------------------	-------------------

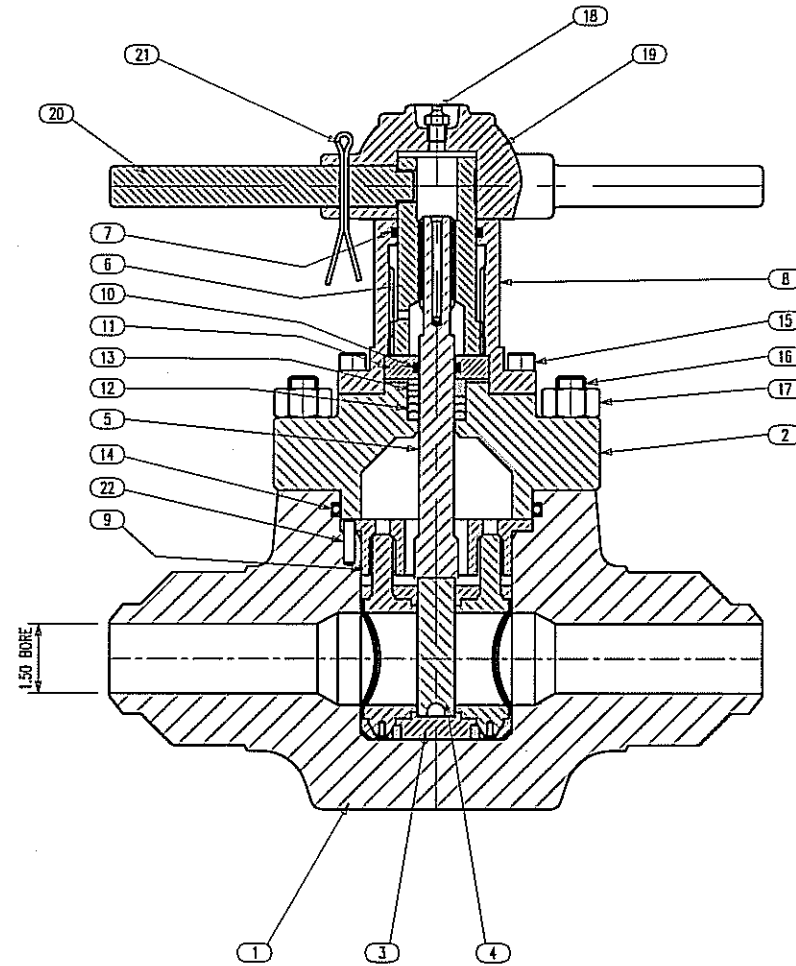
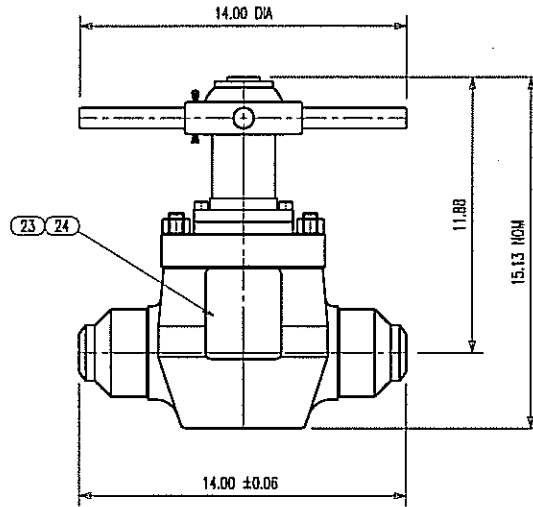
REVISION	REV No	BY	DATE	CHK	REVISION	REV No	BY	DATE	CHK
					CHNGD BONNET MAT PT NO TO B37696	7202	M.H	24.8.05	B.B
					SUPER TRIM NOTE ADDED	523R	RJRA	16.10.02	B.B

MATERIAL
 PART No. -
 DRAWING No. -
 ANSON SPEC No. -

SUPER TRIM: NACE MR-01-75 COMPATIBLE, SEATS HNGR / SS
 TEMPERATURE RANGE : P TO U
 HYDROSTATIC SEAT TEST PRESSURE : 7,500 PSI
 HYDROSTATIC BODY TEST PRESSURE : 11,250 PSI
 RATED PRESSURE : 7,500 PSI
 WEIGHT : 54 KGS/119 LBS

NOTE

VALVES WILL NORMALLY BE FURNISHED AS PSL 0. FOR PSL 1, PSL 2 & PSL 3; SUFFIX THE RELEVANT ASSEMBLY PART NUMBER WITH -1, -2 OR -3 RESPECTIVELY. (EFFECTED PARTS, ITEMS 1 TO 5)



ITEM	QTY	DESCRIPTION	PART No.	DRG.No.	MATL.PT.No.	SPEC
24	4	DRIVE RIVET	14273	NA	-	NA
23	1	NAME PLATE	24988	A3131	-	-
22	1	ROLL PIN	29683	-	-	-
21	1	SPLIT PIN	25033	-	-	-
20	1	HANDLE	25056	C3580	B25041	EX3B
19	1	HUB ASSEMBLY	25055	C3579	C25040	4101
18	1	GREASE FITTING	20744	NA	-	-
17	8	BODY NUT	27309	NA	-	A194.2H
16	8	BODY STUD	29908	NA	-	A193.B7
15	6	CAP HEAD BOLT	29912	NA	-	-
14	1	BONNET SEAL	29914	A292/232	-	4029
13	1	STEM BUSH	25051	C3577	B25158	4054
12	1 SET	STEM SEAL	25050	-	-	4162
11	1	RETAINER	25049	C3576	B12011	4001
10	1	'O' RING	17385	A292/91	-	4028
9	1	SUPPORT PLATE	29906	C5102	B29920	4042
8	1	SCREW HOUSING	29907	C5103	B20712	4042
7	1	STEM SCREW SEAL	25063	A292/170	-	4028
6	1	STEM SCREW	25047	C3574	B11732	4001
5	1	STEM	25046	C3573	B25060	4076
4	1	GATE	25045	C3572	B25059	4120
3	1	SEAT	25044	C4196	-	4143
2	1	BONNET	29905	C5101	B29909	4042
1	1	BODY	30456	C5364	F20105	4002

IMPORTANT
 CAD GENERATED DRAWING
 DO NOT CHANGE BY HAND

ALL DIMENSIONS IN INCHES

REV	DATE	BY	CHK	ISSUE	REVISION	REV No	BY	DATE	CHK
F	26.06.06	T.M.		ST. STEEL INLAY REMOVED FROM VALVE BODY DETAIL	7670				
E	12.03.03	N.F.		ITEM 3 SPEC WAS 4121 NOW 4143	5764				
D	16.10.02	R.P.R.		SUPER TRIM NOTE ADDED	5238				
C	24.4.02	N.F.		PT. No. A30454 NOW SAME AS A30455	5012				
B	10.2.00	S.S.		54 KGS/119 LBS WAS 50 KGS	3706				
A	21.4.99	D.K.		MATERIAL F20105 WAS F23560	3231				



ANSON LTD.

SEVENTH AVENUE
 TEAM VALLEY TRADING ESTATE
 CATESHEAD TYNE AND WEAR NE11 0JW
 TEL: +44 (0)191 482 0022
 FAX: +44 (0)191 487 8835
 anson@plcnethead@anson.co.uk

THIS DOCUMENT AND ALL COPYRIGHT AND UNREGISTERED DESIGN RIGHTS THEREIN IS THE PROPERTY OF ANSON LTD. AND IS LOANED ON THE CONDITION THAT IT IS NOT REPRODUCED, COPIED OR OTHERWISE MADE USE OF IN ANY FORM WHATSOEVER, EXCEPT BY WRITTEN AGREEMENT OF ANSON LTD. AND THE ACCEPTANCE OF THIS DOCUMENT WILL BE CONSIDERED AS AN AGREEMENT TO THE FOREGOING CONDITIONS.

DRAWN BY D.K.	DATE 19.6.98.	SCALE N.T.S.
CHKD BY B.B.	DATE 7.7.98.	APP J.G.C.

2" 7,500 PSI MUD VALVE
 2" BW XXS ENDS

PART No. A30455	DWG No. A-6574	Issue F
---------------------------	--------------------------	-------------------

MATERIAL	REVISION	REV No	BY	DATE	CHK	ISSUE
PART No. -						
DRAWING No. SEE TABLE						
ANSON SPEC No. -						